



- (51) International Patent Classification:
B66F 11/04 (2006.01)
- (21) International Application Number:
PCT/IB2015/053296
- (22) International Filing Date:
6 May 2015 (06.05.2015)
- (25) Filing Language: English
- (26) Publication Language: English
- (30) Priority Data:
2268/CHE/2014 6 May 2014 (06.05.2014) IN
- (71) Applicant: **L&T TECHNOLOGY SERVICES LIMITED** [IN/IN]; DLF IT SEZ Park, 2nd Floor - Block 3, 1/124, Mount Poonamallee Road, Ramapuram, Chennai 600089 (IN).
- (72) Inventors: **TRIPATHI, Atul Chandra**; L&T Technology Services Limited, L&T Knowledge city, 1st Floor, West Block 2, Vadodara, Gujarat 391740 (IN). **MEPPRATH, Tinu Thomas**; L&T Technology Services Limited, L&T

Knowledge city, 1st Floor, West Block 2, Vadodara 391740 (IN). **KAMBOYA, Amit**; L&T Technology Services Limited, L&T Knowledge city, 1st Floor, West Block 2, Vadodara 391740 (IN).

- (81) Designated States (unless otherwise indicated, for every kind of national protection available): AE, AG, AL, AM, AO, AT, AU, AZ, BA, BB, BG, BH, BN, BR, BW, BY, BZ, CA, CH, CL, CN, CO, CR, CU, CZ, DE, DK, DM, DO, DZ, EC, EE, EG, ES, FI, GB, GD, GE, GH, GM, GT, HN, HR, HU, ID, IL, IN, IR, IS, JP, KE, KG, KN, KP, KR, KZ, LA, LC, LK, LR, LS, LU, LY, MA, MD, ME, MG, MK, MN, MW, MX, MY, MZ, NA, NG, NI, NO, NZ, OM, PA, PE, PG, PH, PL, PT, QA, RO, RS, RU, RW, SA, SC, SD, SE, SG, SK, SL, SM, ST, SV, SY, TH, TJ, TM, TN, TR, TT, TZ, UA, UG, US, UZ, VC, VN, ZA, ZM, ZW.
- (84) Designated States (unless otherwise indicated, for every kind of regional protection available): ARIPO (BW, GH, GM, KE, LR, LS, MW, MZ, NA, RW, SD, SL, ST, SZ, TZ, UG, ZM, ZW), Eurasian (AM, AZ, BY, KG, KZ, RU, TJ, TM), European (AL, AT, BE, BG, CH, CY, CZ, DE, DK, EE, ES, FI, FR, GB, GR, HR, HU, IE, IS, IT, LT, LU,

[Continued on next page]

- (54) Title: A STABILIZER MECHANISM FOR AERIAL WORK PLATFORM

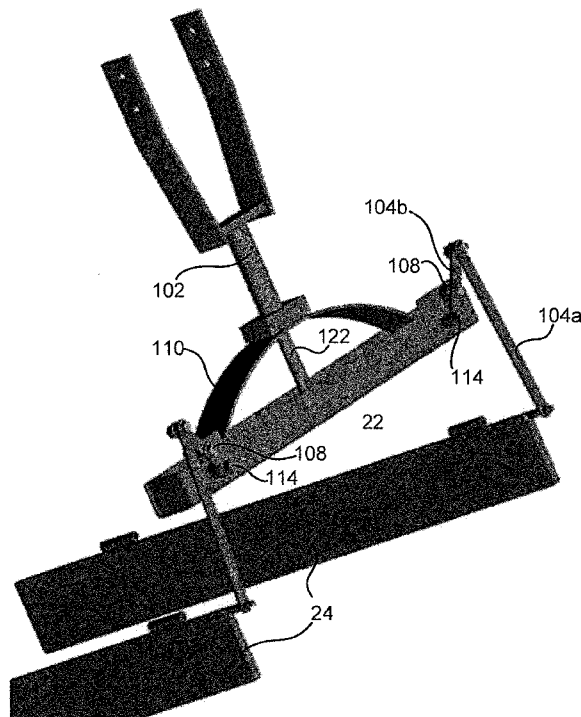


Figure 4

(57) Abstract: According to embodiments of the disclosure, a stabilizer arrangement 100 for a self-propelled aerial work platform vehicle 10 having a work platform 18, a lifting section 16 for elevating and lowering the work platform 18 and a chassis 12 for supporting lifting section 16 and at least two safety plates 24 is disclosed. The stabilizer arrangement 100 may include a pushing element 102, at least two linkage mechanism 104 and an arc shaped resilient member 110 supported on an actuator frame 22. A first end 106 of each linkage mechanism 104 may be coupled to each safety plate 24. Each end 112 of the arc shaped resilient member 110 may be hinged to a second end 114 of each linkage mechanism 104, such that downward vertical movement of the work platform 18 may result in imparting a downward vertical movement to a center part 116 of the arc shaped resilient member 110 by the pushing element 102.