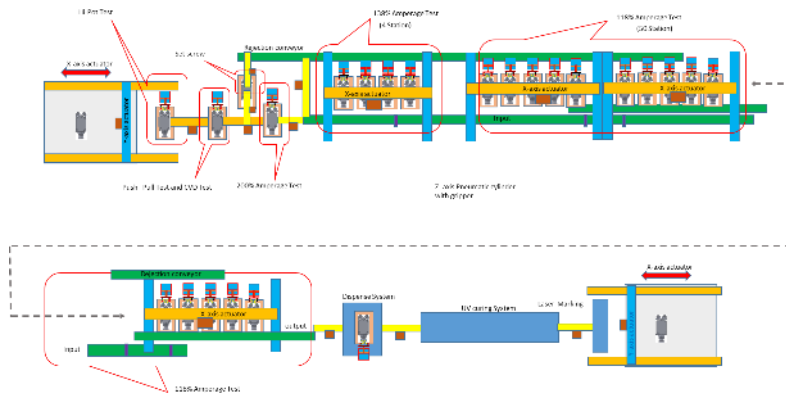


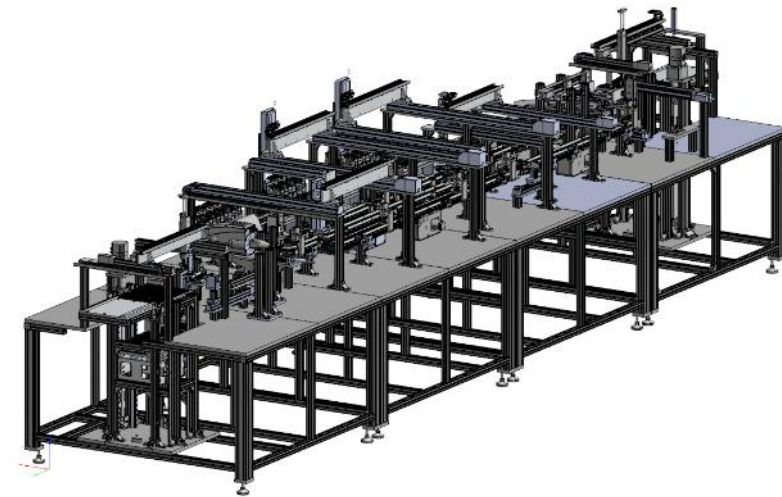
Automated Test System for Circuit Breaker Assembly

Design and development of “**Automated Test System for Circuit Breaker**”.

Outline concept



Actual Concept



VALUE
DELIVERED

40% up



Productivity

6>1



Operator

12



Variants

100%



Safety

100%



Poka-Yoke

Part Handling



Automation